



SUPERPOWER PUMP

**SWIMMING POOL PUMPS
SWB / SWC**

**Pumps
Catalogue**



SWB



SWC

**SINCE
1977**

SWB / SWC SERIES - SWIMMING POOL PUMP



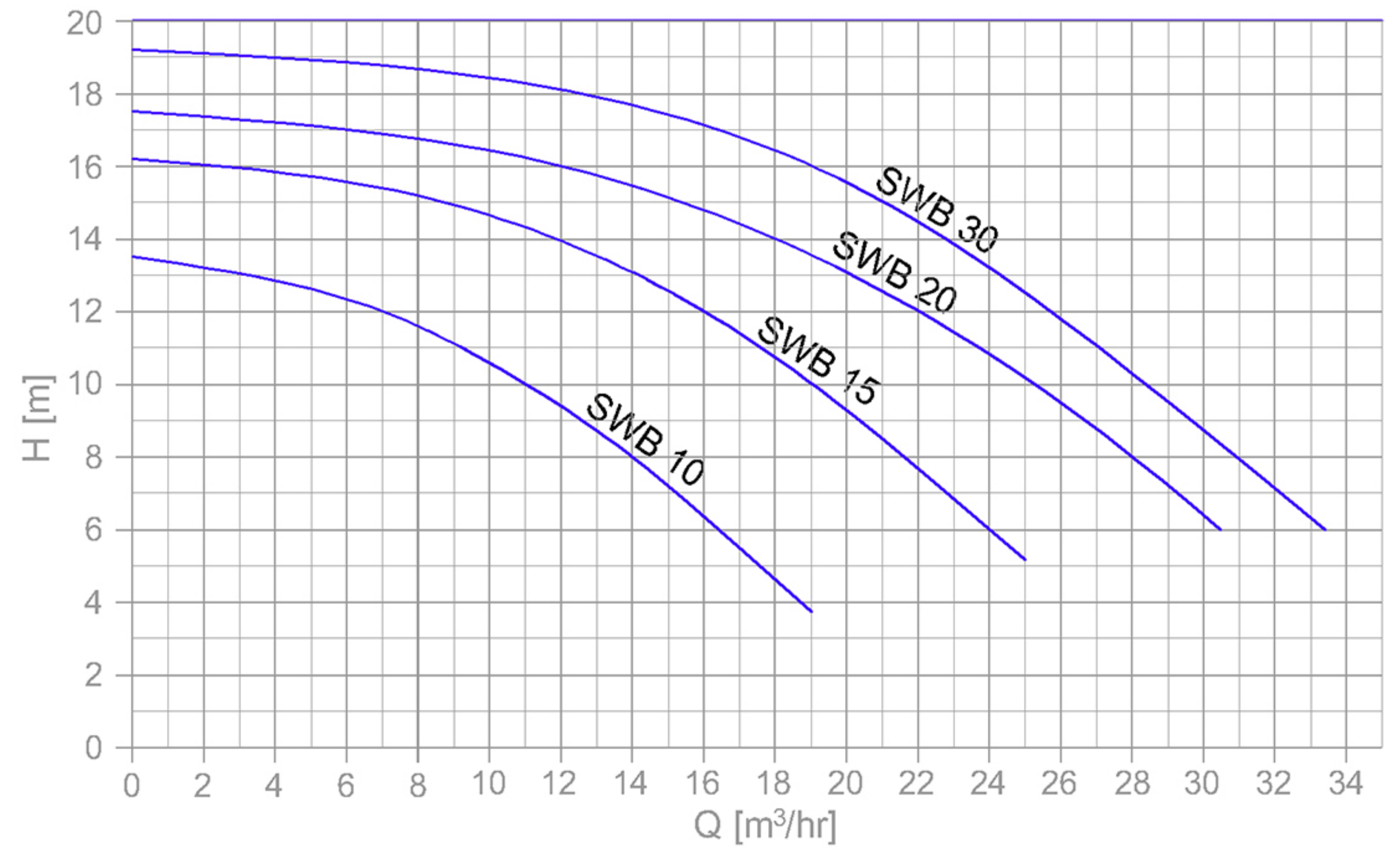
SWB

SWC

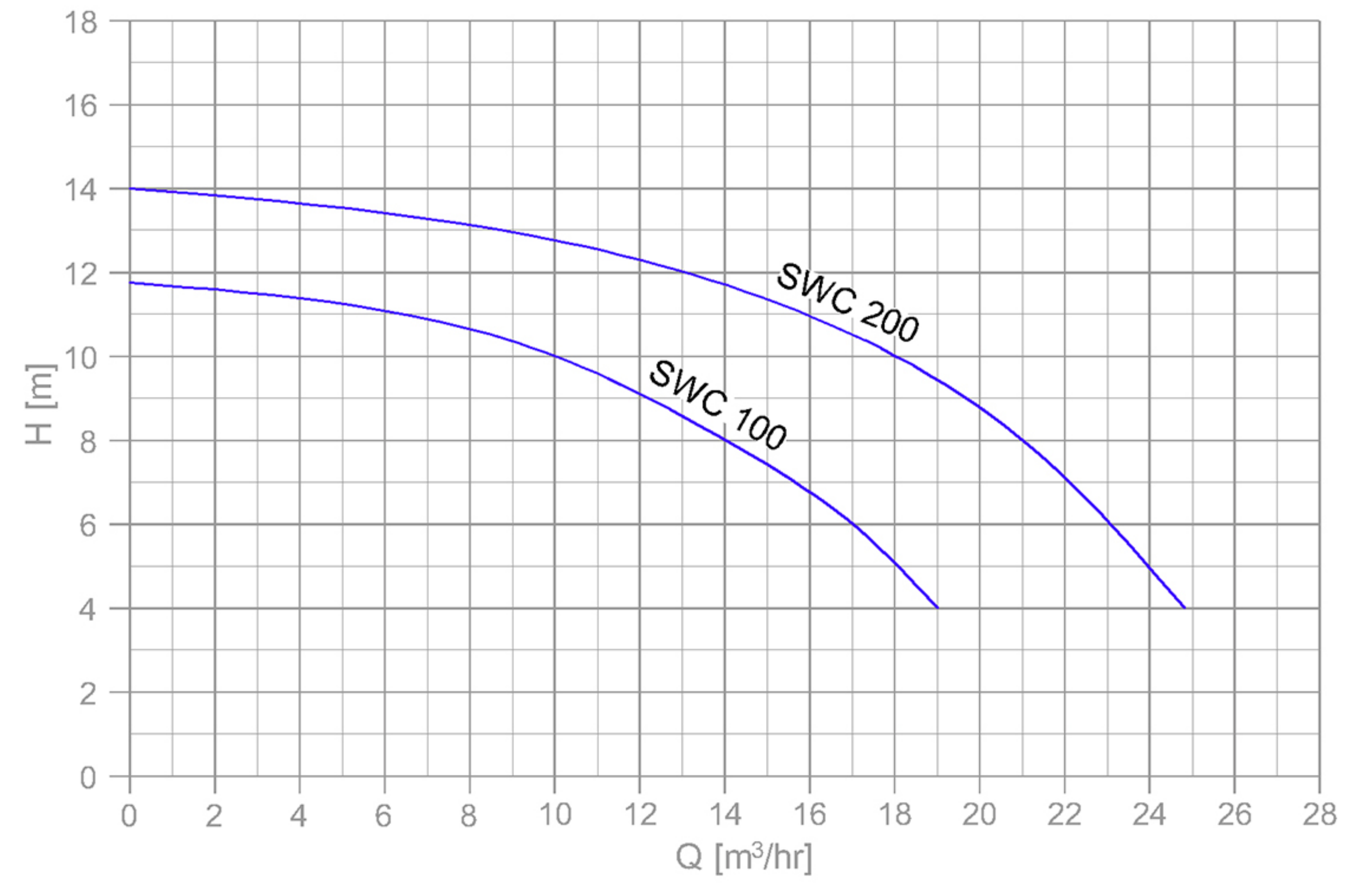
Product Specification	Application	SWB: Residential Pools and Spas SWC: Medium Size Residential Pools	
	Feature	Low Noise Level, Energy Efficient, Easy Maintenance	
	Testing Pressure	3.5 Bar	
	Basket Volume	2.5 L	
	Material	Shaft	Stainless Steel 316
		Mechanical Seal	Stainless Steel 316
	Pole	2 - Pole	
	Phase	1 phase	
	Insulation	Class B	
	Frequency	50 Hz	
	Water Proof Standard	IPX5	
Protector	Built-in Thermal Protection Overload Protection		

SELECTION CHART

SWB



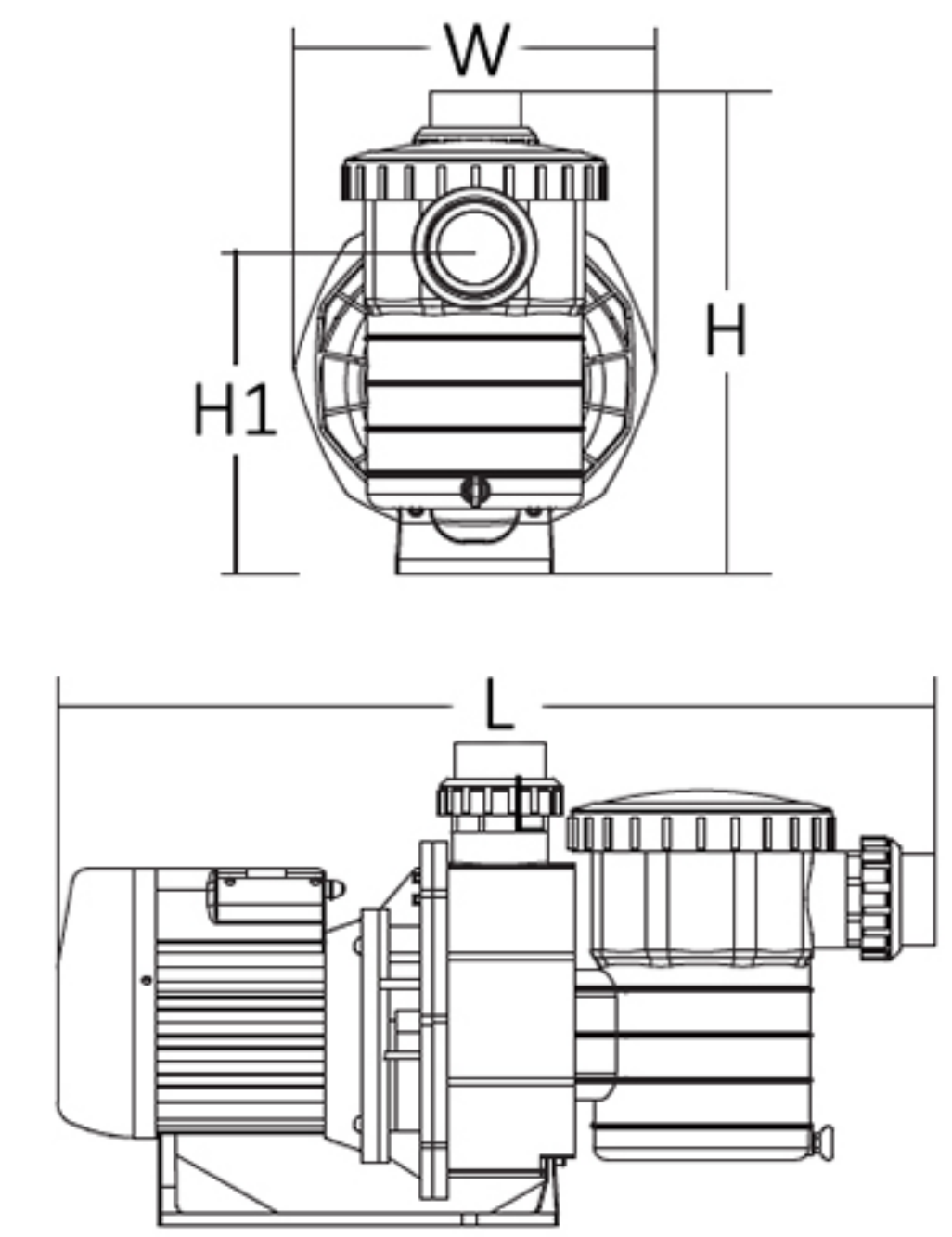
SWC



DIMENSION & WEIGHT

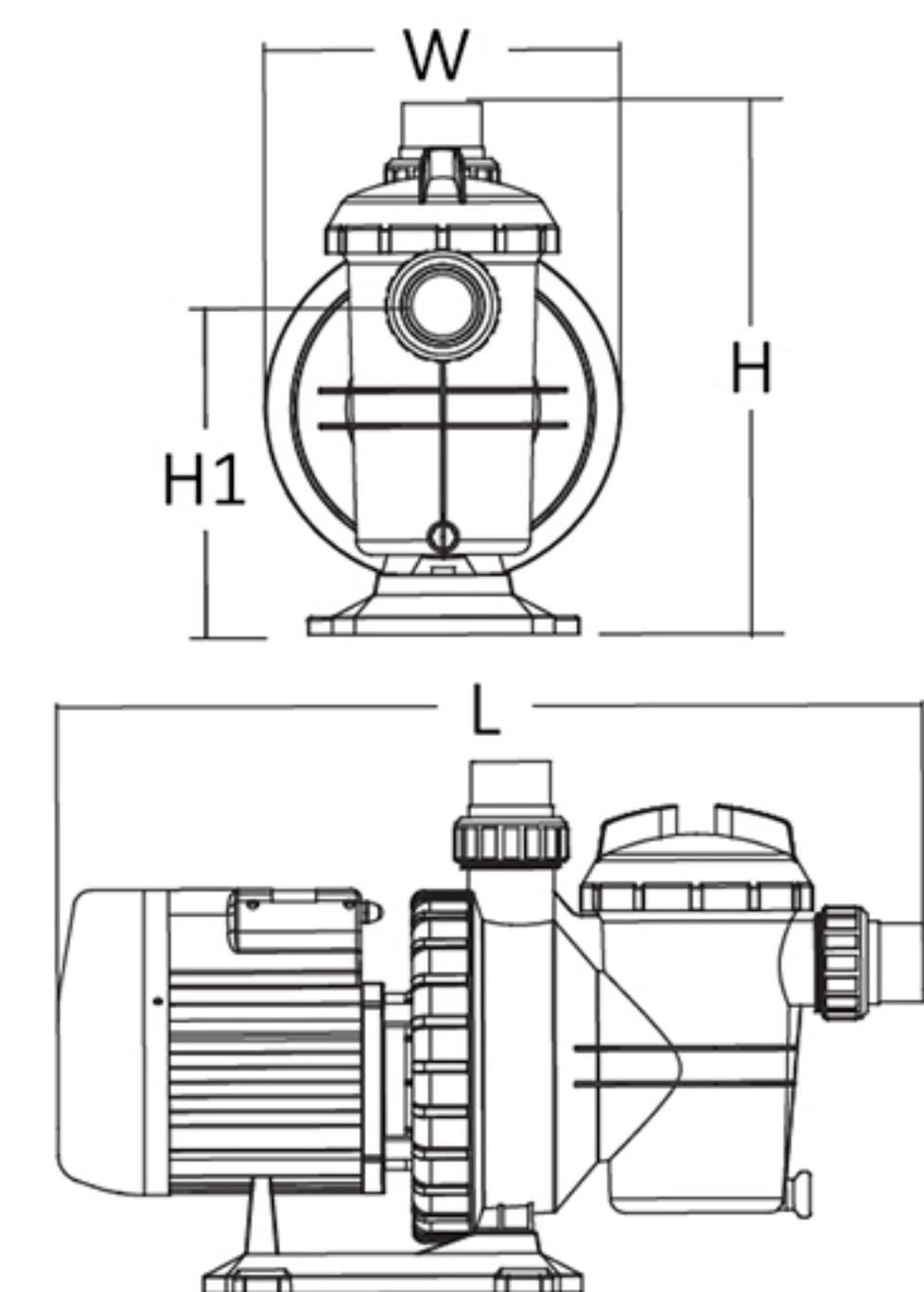
SWB

Connection Dia.	Model	Power (kW)	No. of Pole	Current (AMP)	Dimension (mm)				Weight (kg)
					L	W	H	H1	
50	SWB 10	0.97	2P	4.7	717	275	413	248	16
50	SWB 15	1.3	2P	5.9	717	275	413	248	17
50	SWB 20	1.8	2P	8.2	717	275	413	248	23
50	SWB 30	2.18	2P	10.5	717	275	413	248	24



SWC

Connection Dia.	Model	Power (kW)	No. of Pole	Current (AMP)	Dimension (mm)				Weight (kg)
					L	W	H	H1	
40	SWC 100	0.97	2P	4.7	600	240	370	221	13.4
40	SWC 200	1.71	2P	8.2	600	240	370	221	15.4



*The drawings are for reference only