



WELSON

Model : 106

“WELSON” Piston Type Float Operated Gr. 316 Stainless Steel Valve

The 106 series is a fully mechanical , piston type float valve general fitted within water tanks or reservoirs . The principle function is to automatically control the rate of flow of the filling medium and will shut off completely when a predetermined level is reached .



Approval from Hong Kong Water Supplies Department

水務署
Water Supplies Department
香港灣仔告士打道七號入境事務大樓
Immigration Tower, 7 Gloucester Road, Hong Kong

電子郵箱: wsdinfo@wd.gov.hk
電話: 2829 4367 傳真: 2824 0578
地址: Tsuen Wan, N.T., Hong Kong
Reference: (2) in WSD 332/15 Pt.1 T/O(722)

5 January 2016

Welson Metal & Sanitary Ware MFY.
Unit G & H, 19 Floor Phase 1,
Superluck Industrial Center,
45-53 Sha Tsui Road,
Tsuen Wan, N.T.,
Hong Kong

(Attn.: Mr Ken S.K. MA)

Dear Sir,

Approval of “WELSON” Float Operated Valves

Your letter ref. 106-AP12192015 dated 19 December 2015 refers.

Brand	Models	Size	Fugro Test Report Ref.Nos.
Welson	106-20	DN20	154376ST150855
	106-25	DN25	154376ST150855(1)
	106-32	DN32	154376ST150855(2)
	106-40	DN40	154376ST150855(3)
	106-50	DN50	154376ST150855(4)
	106-65	DN65	154376ST150855(5)
	106-80	DN80	154376ST150855(6)
	106-100	DN100	154376ST150855(7)
	106-150	DN150	154376ST150855(8)

Having considered the above test reports all issued on 14 December 2015 by the Fugro Technical Services Limited, this Authority accepts that the fittings described below comply with, and their use when correctly installed does not contravene, the Waterworks Ordinance and Regulations.

Acceptance Reference No. C20160001 Page: 1

Name of Manufacturer: Welson Metal & Sanitary Ware MFY.
Country of Origin: China
Brand: Welson
Details of Fittings: Piston type float operated Gr.316 stainless steel valve
Models and Size: 106-20 DN20, 106-25 DN25, 106-32 DN32, 106-40 DN40, 106-50 DN50, 106-65 DN65, 106-80 DN80, 106-100 DN100, 106-150 DN150
Body Markings: WELSON W"size of valve"
Expiry Date: 29 October 2020

This Authority hereby permits the use of the above fittings in fresh water plumbing systems subject to full adherence to Waterworks installation requirements.

A condition of this acceptance is that the fittings to be installed shall be replicas of the samples as certified by the testing agent mentioned above and without modifications. This acceptance may be withdrawn at any time if the standard of the fittings installed fails to meet that of the approved samples or if the fittings are found to be unsuitable for use in fresh water plumbing systems.

For the use of the fittings in any project, the Acceptance Reference Number at the bottom of this letter must be quoted as a means of identification of acceptance of the fittings by this Authority.

Should you have any enquiries, please contact our Engineer Ms. K I. FOK at tel. no. 2829 5657.

Yours faithfully,

(LAM Ching Man)
for Water Authority

Acceptance Reference No. C20160001 Page: 2

Features

- Full range size DN20 to DN150
- Full stainless steel construction of valve body , piston , lever for excellent corrosion resistance
- Lined removable piston center and guide for easy maintenance.
- Face and piston seal easily replaceable
- Right angle design with large center bore to avoid jamming or clogging
- Pressure balance equilibrium mechanism to minimize operating noise & vibration
- Filling level can be changed by adjusting the HEX adjustable lever

Materials of Construction

No.	Description	Material
1	Valve Cap	Stainless Steel EN10088-1 1.4401
2	Body	Stainless Steel EN10088-1 1.4401
3	Piston Center	Stainless Steel EN10088-1 1.4401
4	Piston Guide	Stainless Steel EN10088-1 1.4401
5	Lever	Stainless Steel EN10088-1 1.4401
6	HEX Adj lever	Stainless Steel EN10088-1 1.4401
7	Piston face	Synthetic Rubber
8	Float lever	Stainless Steel EN10088-1 1.4301

Working Condition

Working pressure : 0 to 14 Bar

Test & Standards

Hydraulic pressure test (BS1212: Part 1 1990) : 20 Bar

Pressure shut-off test (BS1212: Part1 190) : Up to 14 Bar

Manufacturing Standards

Inlet BSPT connection to BS 21

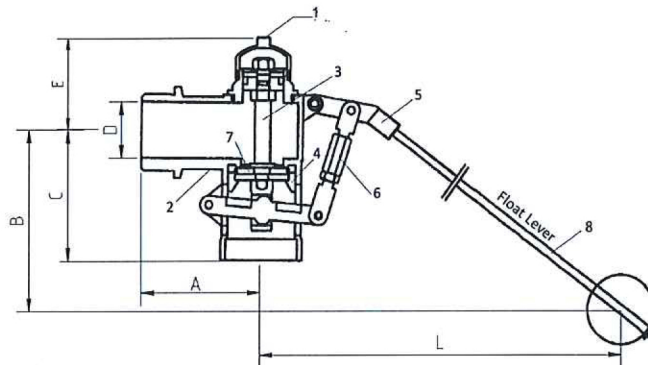
Inlet flange faced and drilled to BS EN 1092-1 2007

Material construction to BS EN 10088: 2014

Remark^

- DN50 to DN100 inlet connection to be NSPT comply to BS 21
- DN150 inlet connection to be flanged comply to BS EN 1092-1 PN16
- Downpipe can be fitted to outlet
- "B" & "L" given where valve in closed position

Dimensions



Model No.	DN		Dimension (mm)						Float Lever Size x Length (Inch)	Float	
	mm	Inch	A	B	C	E	F	L		Φ (Inch)	
										HDPE	Copper
106-20	20	3/4"	62	230	66	20	12	400	5/16" X 20"	8"	8"
106-25	25	1"	77	230	85	25	15	450	5/16" X 20"	8"	8"
106-32	32	1-1/4"	78	235	88	32	21	450	5/16" X 20"	8"	8"
106-40	40	1-1/2"	80	350	90	40	55	450	3/8" X 24"	8"	8"
106-50	50	2"	95	350	100	50	70	550	3/8" X 30"	8"	8"
106-65	65	2-1/2"	115	400	120	65	85	700	1/2" X 30"	12"	12"
106-80	80	3"	140	500	140	80	90	1000	1/2" X 48"	12"	14"
106-100	100	4"	160	560	170	100	105	1050	1/2" X 48"	12"	14"
106-150	150	6"	170	560	250	150	150	1170	3/4" X 48"	Duo 12"	18"

Approval : Office of Hong Kong Water Supplies Department (Ref. : C20160001)