



力霸水泵機械工程有限公司
SUPERPOWER PUMPING ENGINEERING CO., LTD



FS *Valves* Valve & Strainer



Y - Strainer



Swing Check Valve



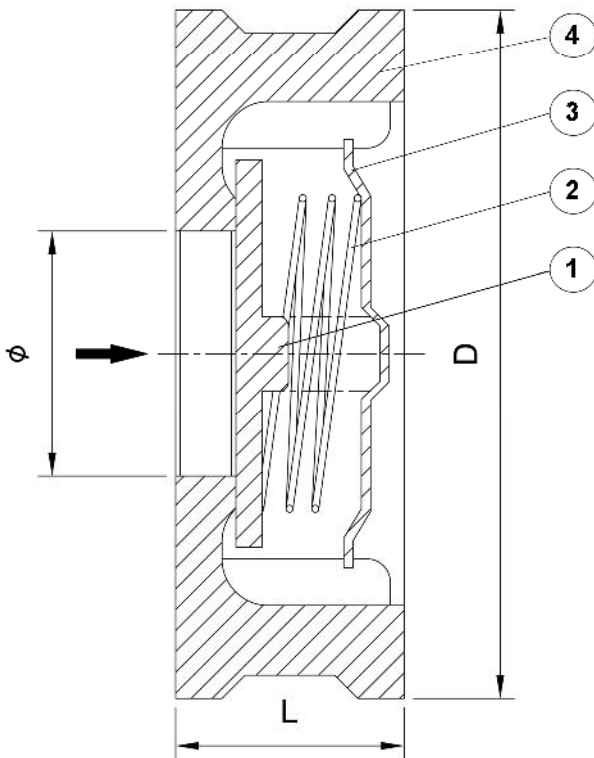
Wafer Type Check Valve

Wafer Type Check Valve FSWTCV Series (Stainless Steel 316)

Features

- "FS" Wafer Type Stainless Steel Check Valves are used to prevent reversed flow through pumps or in piping systems automatically.
- For general chemical and industrial services

Sectional Drawing



- Applicable medium : Water
- Size from 50mm ~ 100mm
- Working Pressure : 16 bar
- Temperature range : 0°C ~ 80°C

Parts Material

No.	Parts Name	Material
1	Disc	Stainless Steel 316
2	Spring	Stainless Steel 316
3	Guider	Stainless Steel 316
4	Body	Stainless Steel 316

Dimensions

Model	Size (Ø)	D	L
FSWTCV-50-S6	50	91	40
FSWTCV-65-S6	65	112	46
FSWTCV-80-S6	80	128	48
FSWTCV-100-S6	100	149	58

■ Acceptance Reference No. : C20160203



水務署

Water Supplies Department

香港灣仔告士打道七號入境事務大樓
Immigration Tower, 7 Gloucester Road, Hong Kong

電子郵件
e-mail wsdinfo@wsd.gov.hk

電話
Telephone 2829 4367

圖文傳真
Facsimile 2824 0578

檔號
Reference (3) in WSD 3321/16 Pt.1 T/J(249)

7 March 2016

Superpower Pumping Engineering Co., Ltd.
G/F., Times Tower,
928-930 Cheung Sha Wan Road,
Kowloon, Hong Kong

(Attn.: Mr LAW On Shing)

Dear Sir,

Approval of “FS” Check Valves

Your letter ref. SP/ADM/OSL/L/2016/005 dated 18 February 2016 refers.

Having considered test report ref. PMA61010 issued on 16 February 2016 by the ETS-Tectconsult Limited, this Authority accepts that the fittings described below comply with, and their use when correctly installed does not contravene, the Waterworks Ordinance and Regulations.

Name of Manufacturer: Wuxi Fusheng Valve Industrial Co., Ltd.

Country of Origin: China

Brand: FS

Details of Fittings: Wafer type check valve

Models and Sizes:

FSWTCV-50-S6	(50mm)
FSWTCV-65-S6	(65mm)
FSWTCV-80-S6	(80mm)
FSWTCV-100-S6	(100mm)

Body Markings: Logo of "FS" size PN16 CF8M

Expiry Date: 26 January 2021

This Authority hereby permits the use of the above fittings in fresh water plumbing systems subject to full adherence to Waterworks installation requirements. On the other hand, the installation of the above fittings in flushing water plumbing systems and fire services may be allowed subject to the compliance of the relevant Waterworks requirements.

A condition of this acceptance is that the fittings to be installed shall be replicas of the samples as certified by the testing agent mentioned above and without modifications. This acceptance may be withdrawn at any time if the standard of the fittings installed fail to meet that of the approved samples or if the fittings are found to be unsuitable for use in fresh water plumbing systems.

For the use of the fittings in any project, the Acceptance Reference Number at the bottom of this letter must be quoted as a means of identification of acceptance of the fittings by this Authority.

Should you have any enquiries, please contact our Engineer Ms. K L FOK at tel. no. 2829 5657.

Yours faithfully,



(LAM Ching Man)
for Water Authority

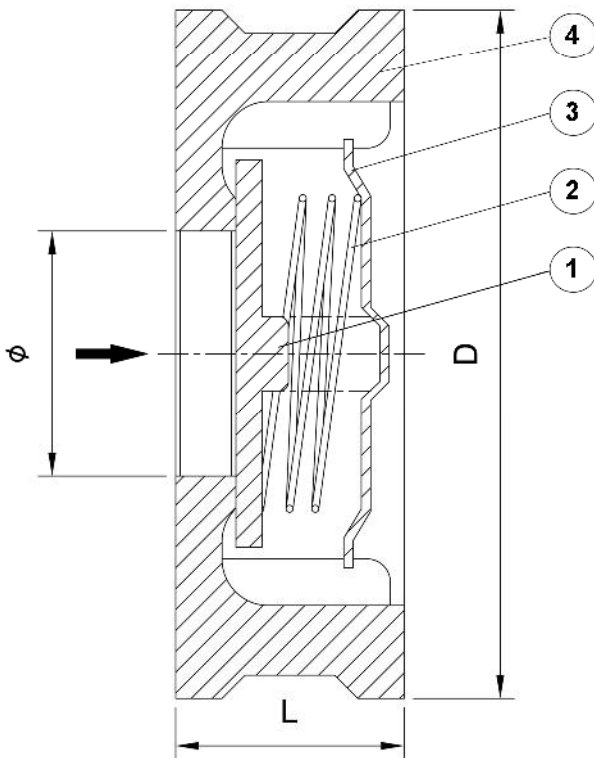
c.c. WSD 3321/1/82] - without catalogue
E/CS(TS)1] - with soft copy only

Wafer Type Check Valve FSWTCV Series (Stainless Steel 304)

Features

- "FS" Wafer Type Stainless Steel Check Valves are used to prevent reversed flow through pumps or in piping systems automatically.
- For general chemical and industrial services

Sectional Drawing



- Applicable medium : Water
- Size from 50mm ~ 100mm
- Working Pressure : 16 bar
- Temperature range : 0°C ~ 80°C

Parts Material

No.	Parts Name	Material
1	Disc	Stainless Steel 304
2	Spring	Stainless Steel 304
3	Guider	Stainless Steel 304
4	Body	Stainless Steel 304

Dimensions

Model	Size (ø)	D	L
FSWTCV-50-S4	50	91	40
FSWTCV-65-S4	65	112	46
FSWTCV-80-S4	80	128	48
FSWTCV-100-S4	100	149	58

■ Acceptance Reference No. : C20160672

**水務署
Water Supplies Department**香港灣仔告士打道七號入境事務大樓
Immigration Tower, 7 Gloucester Road, Hong Kong電子郵件
e-mail wsdinfo@wsd.gov.hk電話
Telephone 2829 4367圖文傳真
Facsimile 2824 0578檔號
Reference (4) in WSD 3321/16 Pt.1 T/J(948)

8 July 2016

Superpower Pumping Engineering Co., Ltd.
G/F., Times Tower,
928-930 Cheung Sha Wan Road,
Kowloon, Hong Kong

(Attn.: Mr LAW On Shing)

Dear Sir,

Approval of “FS” Check Valves

Your letter ref. SP/ADM/OSL/L/2016/026 dated 14 June 2016 and subsequent submission received by this department on 23 June 2016 refer.

Having considered the test report ref. PMA62736 issued on 10 June 2016 by ETS-Testconsult Limited, this Authority accepts that the fittings described below comply with, and their use when correctly installed does not contravene, the Waterworks Ordinance and Regulations.

Name of Manufacturer: Wuxi Fusheng Valve Industrial Co., Ltd**Country of Origin:** China**Brand:** FS**Details of Fitting:** Stainless steel wafer type check valves**Model & Size**

Model	Size (mm)
FSWTCV-50-S4	50
FSWTCV-65-S4	65
FSWTCV-80-S4	80
FSWTCV-100-S4	100

Body Marking: Logo of “FS” & size & PN16 CF8

Expiry Date: 5 June 2021

This Authority hereby permits the use of the above fittings in fresh water plumbing systems subject to full adherence to Waterworks installation requirements. On the other hand, the installation of the above fittings in flushing water plumbing systems and fire services may be allowed subject to the compliance of the relevant Waterworks requirements.

A condition of this acceptance is that the fittings to be installed shall be replicas of the samples as certified by the testing agent mentioned above and without modifications. This acceptance may be withdrawn at any time if the standard of the fittings installed fails to meet that of the approved samples or if the fittings are found to be unsuitable for use in fresh water plumbing systems.

For the use of the fittings in any project, the Acceptance Reference Number at the bottom of this letter must be quoted as a means of identification of acceptance of the fittings by this Authority.

Should you have any enquiries, please contact our Engineer Mr Terry KUNG at tel. no. 2294 2656.

Yours faithfully,



(LAM Ching Man)
for Water Authority

c.c. WSD 3321/1/82] - without catalogue
ME/CS(MC)] - with soft copy only

Swing Check Valve FSSCV Series (Stainless Steel 316)

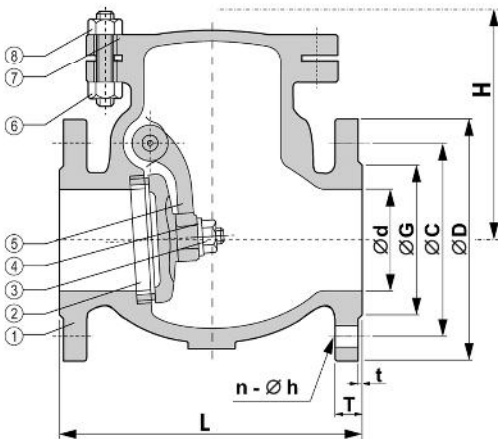


Features

- "FS" Flanged Stainless Steel Swing Check Valve are provided full flow capabilities. It provides reliable protection against reverse flow
- For general chemical & industrial services
- Applicable medium: Water

- Size from 80mm ~ 150mm
- Working Pressure: 16 bar
- Temperature range: 0°C ~ 80°C
- Flange Type : PN16

Sectional Drawing



Parts Material

No.	Parts Name	Material
1	Body	Stainless Steel 316
2	Disc	Stainless Steel 316
3	Disc Nut	Stainless Steel 316
4	Disc Washer	Stainless Steel 316
5	Swing Arm	Stainless Steel 316
6	Bolt Nut	Stainless Steel 316
7	Cover	Stainless Steel 316
8	Cover Bolt	Stainless Steel 316

Dimensions

Model	Size (Ø)	L	H	T	t	D	C	G	d	n - Øh
FSSCV-80-S6	80	241	168	20	3	200	160	132	80	8 - Ø18
FSSCV-100-S6	100	292	223	22	3	220	180	156	100	8 - Ø18
FSSCV-150-S6	150	356	297	24	3	285	240	211	150	8 - Ø22

■ Acceptance Reference No. : C20160204



水務署
Water Supplies Department

香港灣仔告士打道七號入境事務大樓
Immigration Tower, 7 Gloucester Road, Hong Kong

電子郵遞
e-mail wsdinfo@wsd.gov.hk

電話
Telephone 2829 4367

圖文傳真
Facsimile 2824 0578

檔號
Reference (3) in WSD 3321/16 Pt.1 T/J(250)

7 March 2016

Superpower Pumping Engineering Co., Ltd.
G/F., Times Tower,
928-930 Cheung Sha Wan Road,
Kowloon, Hong Kong

(Attn.: Mr LAW On Shing)

Dear Sir,

Approval of "FS" Check Valves

Your letter ref. SP/ADM/OSL/L/2016/006 dated 18 February 2016 refers.

Having considered test report ref. PMA61009 issued on 16 February 2016 by the ETS-Tectconsult Limited, this Authority accepts that the fittings described below comply with, and their use when correctly installed does not contravene, the Waterworks Ordinance and Regulations.

Name of Manufacturer: Wuxi Fusheng Valve Industrial Co., Ltd.

Country of Origin: China

Brand: FS

Details of Fittings: Swing check valve

Models and Sizes:
FSSCV-80-S6 (80mm)
FSSCV-100-S6 (100mm)
FSSCV-150-S6 (150mm)

Body Markings: Logo of "FS" size PN16 CF8M arrow

Expiry Date: 26 January 2021

This Authority hereby permits the use of the above fittings in fresh water plumbing systems subject to full adherence to Waterworks installation requirements. On the other hand, the installation of the above fittings in flushing water plumbing systems and fire services may be allowed subject to the compliance of the relevant Waterworks requirements.

A condition of this acceptance is that the fittings to be installed shall be replicas of the samples as certified by the testing agent mentioned above and without modifications. This acceptance may be withdrawn at any time if the standard of the fittings installed fail to meet that of the approved samples or if the fittings are found to be unsuitable for use in fresh water plumbing systems.

For the use of the fittings in any project, the Acceptance Reference Number at the bottom of this letter must be quoted as a means of identification of acceptance of the fittings by this Authority.

Should you have any enquiries, please contact our Engineer Ms. K L FOK at tel. no. 2829 5657.

Yours faithfully,



(LAM Ching Man)
for Water Authority

c.c. WSD 3321/1/82] - without catalogue
E/CS(TS)1] - with soft copy only

Swing Check Valve FSSCV Series (Stainless Steel 304)

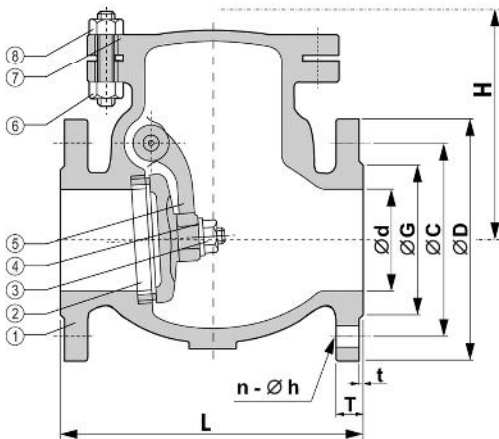


Features

- "FS" Flanged Stainless Steel Swing Check Valve are provided full flow capabilities. It provides reliable protection against reverse flow
- For general chemical & industrial services
- Applicable medium: Water

- Size from 80mm ~ 150mm
- Working Pressure: 16 bar
- Temperature range: 0°C ~ 80°C
- Flange Type : PN16

Sectional Drawing



Parts Material

No.	Parts Name	Material
1	Body	Stainless Steel 304
2	Disc	Stainless Steel 304
3	Disc Nut	Stainless Steel 304
4	Disc Washer	Stainless Steel 304
5	Swing Arm	Stainless Steel 304
6	Bolt Nut	Stainless Steel 304
7	Cover	Stainless Steel 304
8	Cover Bolt	Stainless Steel 304

Dimensions

Model	Size (Ø)	L	H	T	t	D	C	G	d	n - Øh
FSSCV-80-S4	80	241	168	20	3	200	160	132	80	8 - Ø18
FSSCV-100-S4	100	292	223	22	3	220	180	156	100	8 - Ø18
FSSCV-150-S4	150	356	297	24	3	285	240	211	150	8 - Ø22

■ Acceptance Reference No. : C20160205



水務署
Water Supplies Department

香港灣仔告士打道七號入境事務大樓
Immigration Tower, 7 Gloucester Road, Hong Kong

電子郵遞
e-mail wsdinfo@wsd.gov.hk

電話
Telephone 2829 4367

圖文傳真
Facsimile 2824 0578

檔號
Reference (3) in WSD 3321/16 Pt.1 T/J(251)

7 March 2016

Superpower Pumping Engineering Co., Ltd.
G/F., Times Tower,
928-930 Cheung Sha Wan Road,
Kowloon, Hong Kong

(Attn.: Mr LAW On Shing)

Dear Sir,

Approval of "FS" Check Valves

Your letter ref. SP/ADM/OSL/L/2016/008 dated 18 February 2016 refers.

Having considered test report ref. PMA61008 issued on 16 February 2016 by the ETS-Tectconsult Limited, this Authority accepts that the fittings described below comply with, and their use when correctly installed does not contravene, the Waterworks Ordinance and Regulations.

Name of Manufacturer: Wuxi Fusheng Valve Industrial Co., Ltd.

Country of Origin: China

Brand: FS

Details of Fittings: Swing check valve

Models and Sizes:
FSSCV-80-S4 (80mm)
FSSCV-100-S4 (100mm)
FSSCV-150-S4 (150mm)

Body Markings: Logo of "FS" size PN16 CF8 arrow

Expiry Date: 26 January 2021

This Authority hereby permits the use of the above fittings in fresh water plumbing systems subject to full adherence to Waterworks installation requirements. On the other hand, the installation of the above fittings in flushing water plumbing systems and fire services may be allowed subject to the compliance of the relevant Waterworks requirements.

A condition of this acceptance is that the fittings to be installed shall be replicas of the samples as certified by the testing agent mentioned above and without modifications. This acceptance may be withdrawn at any time if the standard of the fittings installed fail to meet that of the approved samples or if the fittings are found to be unsuitable for use in fresh water plumbing systems.

For the use of the fittings in any project, the Acceptance Reference Number at the bottom of this letter must be quoted as a means of identification of acceptance of the fittings by this Authority.

Should you have any enquiries, please contact our Engineer Ms. K L FOK at tel. no. 2829 5657.

Yours faithfully,



(LAM Ching Man)
for Water Authority

c.c. WSD 3321/1/82] - without catalogue
E/CS(TS)1] - with soft copy only

Y-Strainer FSYS Series (Stainless Steel 316)

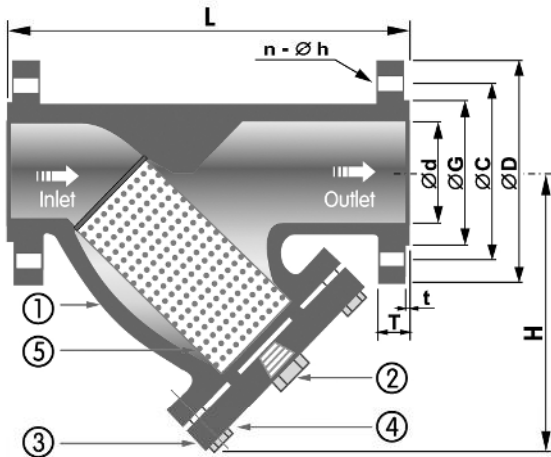


Features

- “FS” Flanged Stainless Steel Y-Strainer for water and other fluids protect equipment from dirt, rust or scale in the pipeline.
- Simple yet rugged construction ensures long service life.

- Stainless Steel screen with large surface area ensures trouble-free operation
- Size from 50mm ~ 150mm
- Working Pressure : 16 bar
- Temperature range : 0°C ~ 80°C
- Flange Type : PN16

Sectional Drawing



Parts Material

No.	Parts Name	Material
1	Body	Stainless Steel 316
2	Drain Plug	Stainless Steel 316
3	Screen Cover	Stainless Steel 316
4	Cover Bolt	Stainless Steel 316
5	Screen	Stainless Steel 316

Dimensions

Model	Size (Ø)	L	H	T	t	D	C	G	d	n - Øh
FSYS-50-S6	50	219	130	20	3	165	125	99	50	4 - Ø18
FSYS-65-S6	65	260	152	20	3	185	145	118	65	4 - Ø18
FSYS-80-S6	80	295	190	20	3	200	160	132	80	8 - Ø18
FSYS-100-S6	100	361	240	22	3	220	180	156	100	8 - Ø18
FSYS-150-S6	150	475	318	24	3	285	240	211	150	8 - Ø22

■ Acceptance Reference No. : C20160317



水務署
Water Supplies Department

香港灣仔告士打道七號入境事務大樓
Immigration Tower, 7 Gloucester Road, Hong Kong

電子郵件
e-mail wsdinfo@wsd.gov.hk

電話
Telephone 2829 4367

圖文傳真
Facsimile 2824 0578

檔號
Reference (2) in WSD 3321/16 Pt.1 T/J(396)

1 April 2016

Superpower Pumping Engineering Co., Ltd.
G/F., Times Tower,
928-930 Cheung Sha Wan Road,
Kowloon, Hong Kong

(Attn.: Mr LAW On Shing)

Dear Sir,

Approval of "FS" Strainers

Your letter ref. SP/ADM/OSL/L/2016/010 dated 11 March 2016 refers.

Having considered test report ref. PMA61461 issued on 10 March 2016 by the ETS-Tectconsult Limited, this Authority accepts that the fittings described below comply with, and their use when correctly installed does not contravene, the Waterworks Ordinance and Regulations.

Name of Manufacturer: Wuxi Fusheng Valve Industrial Co., Ltd.

Country of Origin: China

Brand: FS

Details of Fittings: Y-Strainer

Models and Sizes:

FSYS-50-S6	(50mm)
FSYS-65-S6	(65mm)
FSYS-80-S6	(80mm)
FSYS-100-S6	(100mm)
FSYS-150-S6	(150mm)

Body Markings: Logo of "FS" arrow size PN16 CF8M

Expiry Date: 3 March 2021

This Authority hereby permits the use of the above fittings in fresh water plumbing systems subject to full adherence to Waterworks installation requirements. On the other hand, the installation of the above fittings in flushing water plumbing systems and fire services may be allowed subject to the compliance of the relevant Waterworks requirements.

A condition of this acceptance is that the fittings to be installed shall be replicas of the samples as certified by the testing agent mentioned above and without modifications. This acceptance may be withdrawn at any time if the standard of the fittings installed fail to meet that of the approved samples or if the fittings are found to be unsuitable for use in fresh water plumbing systems.

For the use of the fittings in any project, the Acceptance Reference Number at the bottom of this letter must be quoted as a means of identification of acceptance of the fittings by this Authority.

Should you have any enquiries, please contact our Engineer Ms. K L FOK at tel. no. 2829 5657.

Yours faithfully,



(K K LI)
for Water Authority

c.c. WSD 3321/1/82] - without catalogue
E/CS(TS)1] - with soft copy only

Y-Strainer FSYS Series (Stainless Steel 304)

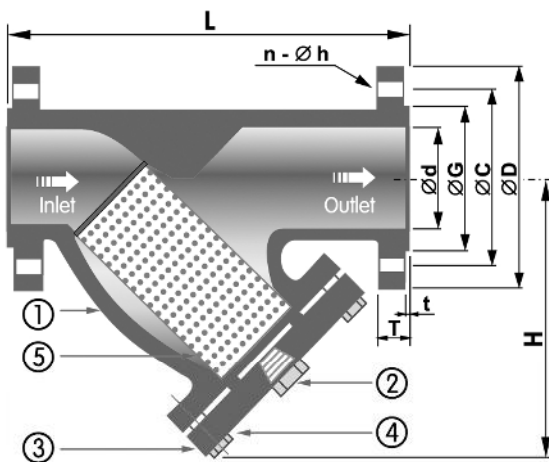


Features

- "FS" Flanged Stainless Steel Y-Strainer for water and other fluids protect equipment from dirt, rust or scale in the pipeline.
- Simple yet rugged construction ensures long service life.

- Stainless Steel screen with large surface area ensures trouble-free operation
- Size from 50mm ~ 150mm
- Working Pressure : 16 bar
- Temperature range : 0°C ~ 80°C
- Flange Type : PN16

Sectional Drawing



Parts Material

No.	Parts Name	Material
1	Body	Stainless Steel 304
2	Drain Plug	Stainless Steel 304
3	Screen Cover	Stainless Steel 304
4	Cover Bolt	Stainless Steel 304
5	Screen	Stainless Steel 304

Dimensions

Model	Size (∅)	L	H	T	t	D	C	G	d	n - ∅h
FSYS-50-S4	50	219	130	20	3	165	125	99	50	4 - ∅18
FSYS-65-S4	65	260	152	20	3	185	145	118	65	4 - ∅18
FSYS-80-S4	80	295	190	20	3	200	160	132	80	8 - ∅18
FSYS-100-S4	100	361	240	22	3	220	180	156	100	8 - ∅18
FSYS-150-S4	150	475	318	24	3	285	240	211	150	8 - ∅22

■ Acceptance Reference No. : C20160315



水務署

Water Supplies Department

香港灣仔告士打道七號入境事務大樓
Immigration Tower, 7 Gloucester Road, Hong Kong

電子郵遞
e-mail wsdinfo@wsd.gov.hk

電話
Telephone 2829 4367

圖文傳真
Facsimile 2824 0578

檔號
Reference (2) in WSD 3321/16 Pt.1 T/J(395)

1 April 2016

Superpower Pumping Engineering Co., Ltd.
G/F., Times Tower,
928-930 Cheung Sha Wan Road,
Kowloon, Hong Kong

(Attn.: Mr LAW On Shing)

Dear Sir,

Approval of "FS" Strainers

Your letter ref. SP/ADM/OSL/L/2016/009 dated 11 March 2016 refers.

Having considered test report ref. PMA61462 issued on 10 March 2016 by the ETS-Tectconsult Limited, this Authority accepts that the fittings described below comply with, and their use when correctly installed does not contravene, the Waterworks Ordinance and Regulations.

Name of Manufacturer: Wuxi Fusheng Valve Industrial Co., Ltd.

Country of Origin: China

Brand: FS

Details of Fittings: Y-Strainer

Models and Sizes:

FSYS-50-S4	(50mm)
FSYS-65-S4	(65mm)
FSYS-80-S4	(80mm)
FSYS-100-S4	(100mm)
FSYS-150-S4	(150mm)

Body Markings: Logo of "FS" arrow size PN16 CF8

Expiry Date: 3 March 2021

This Authority hereby permits the use of the above fittings in fresh water plumbing systems subject to full adherence to Waterworks installation requirements. On the other hand, the installation of the above fittings in flushing water plumbing systems and fire services may be allowed subject to the compliance of the relevant Waterworks requirements.

A condition of this acceptance is that the fittings to be installed shall be replicas of the samples as certified by the testing agent mentioned above and without modifications. This acceptance may be withdrawn at any time if the standard of the fittings installed fail to meet that of the approved samples or if the fittings are found to be unsuitable for use in fresh water plumbing systems.

For the use of the fittings in any project, the Acceptance Reference Number at the bottom of this letter must be quoted as a means of identification of acceptance of the fittings by this Authority.

Should you have any enquiries, please contact our Engineer Ms. K L FOK at tel. no. 2829 5657.

Yours faithfully,



(K K LI)
for Water Authority

c.c. WSD 3321/1/82] - without catalogue
E/CS(TS)1] - with soft copy only



SPV SERIES



SPLV SERIES



SUBMERSIBLE PUMP SERIES



SPE, SPI, SPS SERIES



SUPERPOWER PUMPING ENGINEERING CO., LTD

G/F., Times Tower, 928-930 Cheung Sha Wan Road, Kowloon, Hong Kong

Sales Hotline: (852) 2746 4933

Fax: (852) 2786 2307

Website: www.sppump.com

Email: info@sppump.com



ISO 9001



ISO 14001



OHSAS 18001



MANPOWER



CARING COMPANY

While the production techniques continue to improve, designs and materials used for the products may thus be varied from time to time. No further notice will be provided.

Rev. 07/2016