



力霸水泵機械工程有限公司  
SUPERPOWER PUMPING ENGINEERING Co., LTD.

## Water Pump Control Panels

SPCPE Series

SPCPS Series

SPCPV Series



Control Panel  
Catalogue

40<sup>th</sup>  
Anniversary

**Superpower Pumping Engineering**, established in 1977, engages mainly in water pumping design, manufacturing, installation and maintenance businesses. Having existed in the industry for over 30 years, Superpower is known to be the first company in Hong Kong that connected water pump designing, manufacturing, production, installation, maintenance and 24 hours emergency services.

Aiming to pursue high quality products and services to its valuable customers, and with the support from its parent company, Superpower invests substantial resources in product design, research and enhancement, human resources and business development. Such move will help satisfying customers' needs and ensuring the operation of water supply runs smoothly and will not be affected by external interruption.

Its continued dedication to the industry has enabled Superpower to earn accolades from the trade. In 2001, the award of ISO 9001:2000 certification by SGS, United Kingdom further proved its commitment leads to winning international acclaims and building a solid reputation.

Water pumps is the core product of the Company's manufacturing arm. Today, Superpower's different materials and functional pumps produced for the residential and commercial buildings are ranked as the most popular items in the market. The name of Superpower represents quality water pump and ranks the best selling items in the market.

Today, Superpower employs more than 60 staff overseeing water supply system for over 1000 properties in Hong Kong to provide better after sale services, including luxurious residences, large-scale residential estates, shopping malls, offices, hotels, schools, as well as property management companies. Superpower Pumps installed in Hong Kong including the Benchmark properties such as International Commerce Centre, The Leighton Hill, Manhattan Hill, Dynasty Heights and Grand Promenade.

Apart from the above prestigious buildings, Superpower also serves for some of the prominent property developer as its customers, such as Sun Hung Kai Properties, Henderson Land Development and Sino Land etc.



International Commerce Centre

## INTRODUCTION

Control panels are used to regulate the functions of electrical equipments. The panels fitted with necessary relays are also used to protect electrical equipments from being damaged due to short circuit and over-loading.

Control panels have different types which apply in different conditions. Superpower control panels can directly connect to an electronic starter, enabling to perform soft-start and soft-stop functions. This can enable the water supply system to operate reliably and silently. It can also prolong the life span of the system. The variable speed of the panel enable the system under the appropriate speed matching the actual situation.



Control panel - form 1



Control panel - form 3b

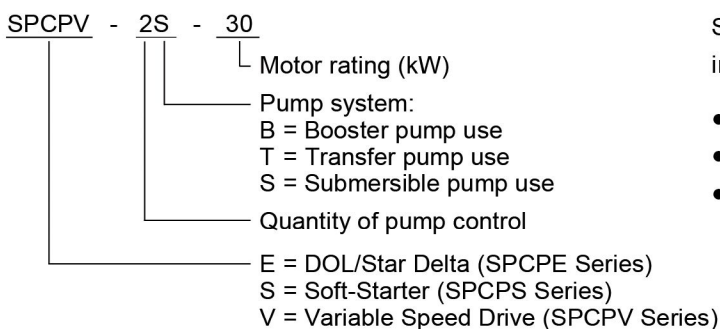
## TECHNICAL SPECIFICATION

Rated Insulation Voltage	up to 1000VAC
Rated Current	main busbar up to 6300A
Rated Operating Frequency	50Hz / 60Hz
Impulse Withstand Voltage Test	6kV complied with BS EN 60439, IEC 60439
Temperature Rise Test	complied with BS EN 60439, IEC 60439
Short Circuit Withstand Capabilities	complied with BS EN 60439, IEC 60439

## FEATURES

- Door opening angle exceeds 110 degree
- With ingress protection to IP31\* / IP43 / IP55 (\*standard production)
- Enclosure with electro-galvanized steel (epoxy power coating to RAL 7032 grey)
- Automatic switching between the operation of pumps
- Dry running protection of pumps
- Pump overheat protection
- Motor protection
- Harmonic filter (Optional)
- Programmable logic controller (PLC) (Optional)
- LCD monitor display (Optional)

## DEFINITION OF MODEL



## APPLICATIONS

Superpower water pump control panel includes:

- Booster pump control panel
- Transfer pump control panel
- Submersible pump control panel

**ACCESSORIES (OPTIONAL)**



Variable Speed Drive

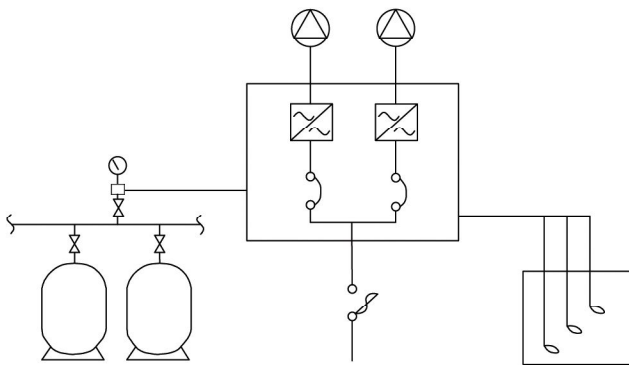


Soft-Starter

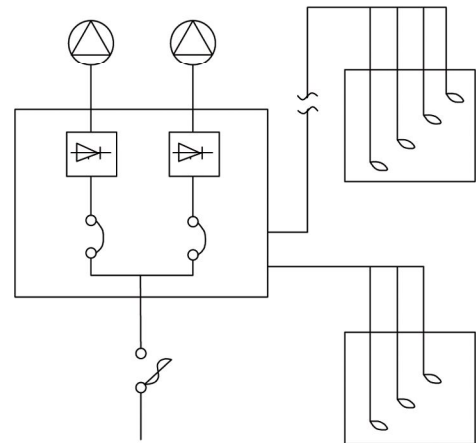


Harmonic Filter


**SCHEMATIC DIAGRAM**



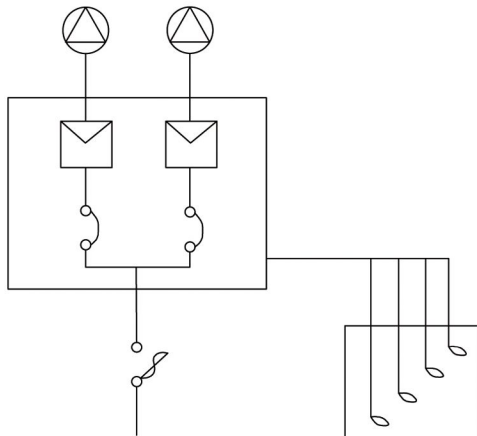
Booster Pump Use




Transfer Pump Use

 = SPCPV Series (Variable Speed Drive)\*

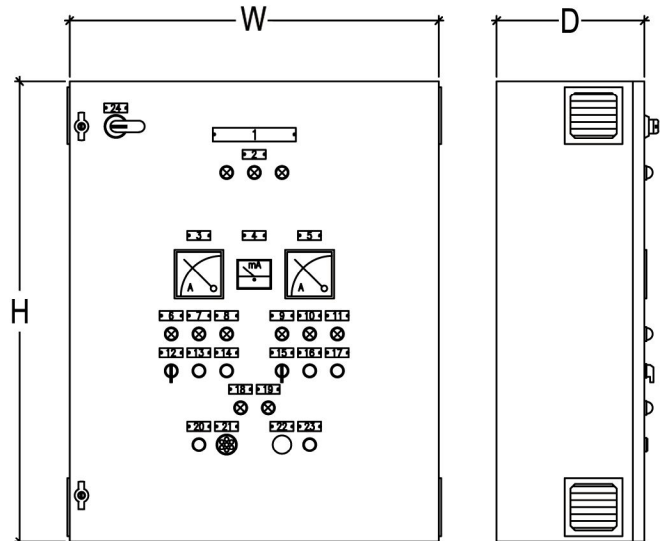
 = SPCPS Series (Soft-Starter)\*



Submersible Pump Use

 = SPCPE Series (DOL/Star-Delta)\*

**DIMENSIONS DRAWING**



The appearance may be different according to different requested dimensions

\*The start mode can be adjusted according to customer's requirement

## SPECIFICATION - BOOSTER PUMP USE

No.	Model	Motor rating (kW)	Quantity of pump control*	Enclosure size* H x W x D (mm)	Start mode
1	SPCPE-2B-0.75	0.75	2	700 x 500 x 200	DOL
2	SPCPE-2B-1.1	1.1	2	700 x 500 x 200	DOL
3	SPCPE-2B-1.5	1.5	2	700 x 500 x 200	DOL
4	SPCPE-2B-2.2	2.2	2	700 x 500 x 200	DOL
5	SPCPE-2B-3	3	2	700 x 500 x 200	DOL
6	SPCPE-2B-4	4	2	700 x 500 x 200	DOL
7	SPCPE-2B-5.5	5.5	2	800 x 600 x 200	Star-Delta
8	SPCPE-2B-7.5	7.5	2	800 x 600 x 200	Star-Delta
9	SPCPE-2B-11	11	2	800 x 600 x 200	Star-Delta
10	SPCPE-2B-15	15	2	800 x 600 x 200	Star-Delta
11	SPCPE-2B-18.5	18.5	2	900 x 700 x 260	Star-Delta
12	SPCPE-2B-22	22	2	900 x 700 x 260	Star-Delta
13	SPCPE-2B-30	30	2	1000 x 800 x 260	Star-Delta
14	SPCPE-2B-37	37	2	1000 x 800 x 260	Star-Delta
15	SPCPE-2B-45	45	2	1000 x 800 x 260	Star-Delta
16	SPCPS-2B-0.75	0.75	2	800 x 600 x 280	Soft-Starter
17	SPCPS-2B-1.1	1.1	2	800 x 600 x 280	Soft-Starter
18	SPCPS-2B-1.5	1.5	2	800 x 600 x 280	Soft-Starter
19	SPCPS-2B-2.2	2.2	2	800 x 600 x 280	Soft-Starter
20	SPCPS-2B-3	3	2	800 x 600 x 280	Soft-Starter
21	SPCPS-2B-4	4	2	800 x 600 x 280	Soft-Starter
22	SPCPS-2B-5.5	5.5	2	800 x 600 x 280	Soft-Starter
23	SPCPS-2B-7.5	7.5	2	800 x 600 x 280	Soft-Starter
24	SPCPS-2B-11	11	2	800 x 600 x 280	Soft-Starter
25	SPCPS-2B-15	15	2	800 x 600 x 280	Soft-Starter
26	SPCPS-2B-18.5	18.5	2	900 x 700 x 280	Soft-Starter
27	SPCPS-2B-22	22	2	900 x 700 x 280	Soft-Starter
28	SPCPS-2B-30	30	2	900 x 800 x 280	Soft-Starter
29	SPCPS-2B-37	37	2	900 x 800 x 280	Soft-Starter
30	SPCPS-2B-45	45	2	1000 x 800 x 280	Soft-Starter
31	SPCPS-2B-55	55	2	1000 x 800 x 280	Soft-Starter
32	SPCPS-2B-75	75	2	1100 x 900 x 330	Soft-Starter
33	SPCPS-2B-90	90	2	1200 x 1000 x 330	Soft-Starter
34	SPCPV-2B-0.75	0.75	2	800 x 650 x 260	Variable Speed Drive
35	SPCPV-2B-1.1	1.1	2	800 x 650 x 260	Variable Speed Drive
36	SPCPV-2B-1.5	1.5	2	800 x 650 x 260	Variable Speed Drive
37	SPCPV-2B-2.2	2.2	2	800 x 650 x 260	Variable Speed Drive
38	SPCPV-2B-3	3	2	800 x 650 x 260	Variable Speed Drive
39	SPCPV-2B-4	4	2	800 x 650 x 260	Variable Speed Drive
40	SPCPV-2B-5.5	5.5	2	900 x 650 x 260	Variable Speed Drive
41	SPCPV-2B-7.5	7.5	2	900 x 650 x 260	Variable Speed Drive
42	SPCPV-2B-11	11	2	1000 x 700 x 300	Variable Speed Drive
43	SPCPV-2B-15	15	2	1000 x 700 x 300	Variable Speed Drive
44	SPCPV-2B-18.5	18.5	2	1200 x 850 x 300	Variable Speed Drive
45	SPCPV-2B-22	22	2	1200 x 850 x 350	Variable Speed Drive
46	SPCPV-2B-30	30	2	1400 x 900 x 350	Variable Speed Drive
47	SPCPV-2B-37	37	2	1400 x 900 x 350	Variable Speed Drive
48	SPCPV-2B-45	45	2	1500 x 1100 x 420	Variable Speed Drive
49	SPCPV-2B-55	55	2	1500 x 1100 x 420	Variable Speed Drive
50	SPCPV-2B-75	75	2	1500 x 1100 x 420	Variable Speed Drive
51	SPCPV-2B-90	90	2	1500 x 1500 x 500	Variable Speed Drive

\*The quantity of pump control and enclosure size can be adjusted

## SPECIFICATION - TRANSFER PUMP USE

No.	Model	Motor rating (kW)	Quantity of pump control*	Enclosure size* H x W x D (mm)	Start mode
1	SPCPE-2T-0.75	0.75	2	700 x 500 x 200	DOL
2	SPCPE-2T-1.1	1.1	2	700 x 500 x 200	DOL
3	SPCPE-2T-1.5	1.5	2	700 x 500 x 200	DOL
4	SPCPE-2T-2.2	2.2	2	700 x 500 x 200	DOL
5	SPCPE-2T-3	3	2	700 x 500 x 200	DOL
6	SPCPE-2T-4	4	2	700 x 500 x 200	DOL
7	SPCPE-2T-5.5	5.5	2	800 x 600 x 200	Star-Delta
8	SPCPE-2T-7.5	7.5	2	800 x 600 x 200	Star-Delta
9	SPCPE-2T-11	11	2	900 x 700 x 260	Star-Delta
10	SPCPE-2T-15	15	2	900 x 700 x 260	Star-Delta
11	SPCPE-2T-18.5	18.5	2	900 x 700 x 260	Star-Delta
12	SPCPE-2T-22	22	2	900 x 700 x 260	Star-Delta
13	SPCPE-2T-30	30	2	1000 x 800 x 260	Star-Delta
14	SPCPE-2T-37	37	2	1000 x 800 x 260	Star-Delta
15	SPCPE-2T-45	45	2	1000 x 800 x 260	Star-Delta
16	SPCPS-2T-0.75	0.75	2	800 x 600 x 280	Soft-Starter
17	SPCPS-2T-1.1	1.1	2	800 x 600 x 280	Soft-Starter
18	SPCPS-2T-1.5	1.5	2	800 x 600 x 280	Soft-Starter
19	SPCPS-2T-2.2	2.2	2	800 x 600 x 280	Soft-Starter
20	SPCPS-2T-3	3	2	800 x 600 x 280	Soft-Starter
21	SPCPS-2T-4	4	2	800 x 600 x 280	Soft-Starter
22	SPCPS-2T-5.5	5.5	2	800 x 600 x 280	Soft-Starter
23	SPCPS-2T-7.5	7.5	2	800 x 600 x 280	Soft-Starter
24	SPCPS-2T-11	11	2	900 x 700 x 280	Soft-Starter
25	SPCPS-2T-15	15	2	900 x 700 x 280	Soft-Starter
26	SPCPS-2T-18.5	18.5	2	900 x 700 x 280	Soft-Starter
27	SPCPS-2T-22	22	2	900 x 700 x 280	Soft-Starter
28	SPCPS-2T-30	30	2	900 x 800 x 280	Soft-Starter
29	SPCPS-2T-37	37	2	900 x 800 x 280	Soft-Starter
30	SPCPS-2T-45	45	2	1000 x 800 x 280	Soft-Starter
31	SPCPS-2T-55	55	2	1000 x 800 x 280	Soft-Starter
32	SPCPS-2T-75	75	2	1100 x 900 x 330	Soft-Starter
33	SPCPS-2T-90	90	2	1200 x 1000 x 330	Soft-Starter
34	SPCPV-2T-0.75	0.75	2	800 x 650 x 260	Variable Speed Drive
35	SPCPV-2T-1.1	1.1	2	800 x 650 x 260	Variable Speed Drive
36	SPCPV-2T-1.5	1.5	2	800 x 650 x 260	Variable Speed Drive
37	SPCPV-2T-2.2	2.2	2	800 x 650 x 260	Variable Speed Drive
38	SPCPV-2T-3	3	2	800 x 650 x 260	Variable Speed Drive
39	SPCPV-2T-4	4	2	800 x 650 x 260	Variable Speed Drive
40	SPCPV-2T-5.5	5.5	2	900 x 650 x 260	Variable Speed Drive
41	SPCPV-2T-7.5	7.5	2	900 x 650 x 260	Variable Speed Drive
42	SPCPV-2T-11	11	2	1100 x 800 x 300	Variable Speed Drive
43	SPCPV-2T-15	15	2	1100 x 800 x 300	Variable Speed Drive
44	SPCPV-2T-18.5	18.5	2	1200 x 850 x 300	Variable Speed Drive
45	SPCPV-2T-22	22	2	1200 x 850 x 350	Variable Speed Drive
46	SPCPV-2T-30	30	2	1400 x 900 x 350	Variable Speed Drive
47	SPCPV-2T-37	37	2	1400 x 900 x 350	Variable Speed Drive
48	SPCPV-2T-45	45	2	1500 x 1100 x 420	Variable Speed Drive
49	SPCPV-2T-55	55	2	1500 x 1100 x 420	Variable Speed Drive
50	SPCPV-2T-75	75	2	1500 x 1100 x 420	Variable Speed Drive
51	SPCPV-2T-90	90	2	1500 x 1500 x 500	Variable Speed Drive

\*The quantity of pump control and enclosure size can be adjusted

## SPECIFICATION - SUBMERSIBLE PUMP USE

No.	Model	Motor rating (kW)	Quantity of pump control*	Enclosure size* H x W x D (mm)	Start mode
1	SPCPE-2S-0.75	0.75	2	700 x 500 x 200	DOL
2	SPCPE-2S-1.1	1.1	2	700 x 500 x 200	DOL
3	SPCPE-2S-1.5	1.5	2	700 x 500 x 200	DOL
4	SPCPE-2S-2.2	2.2	2	700 x 500 x 200	DOL
5	SPCPE-2S-3	3	2	700 x 500 x 200	DOL
6	SPCPE-2S-4	4	2	700 x 500 x 200	DOL
7	SPCPE-2S-5.5	5.5	2	800 x 600 x 200	Star-Delta
8	SPCPE-2S-7.5	7.5	2	800 x 600 x 200	Star-Delta
9	SPCPE-2S-11	11	2	800 x 600 x 200	Star-Delta
10	SPCPE-2S-15	15	2	800 x 600 x 200	Star-Delta
11	SPCPE-2S-18.5	18.5	2	900 x 700 x 260	Star-Delta
12	SPCPE-2S-22	22	2	900 x 700 x 260	Star-Delta
13	SPCPE-2S-30	30	2	1000 x 800 x 260	Star-Delta
14	SPCPE-2S-37	37	2	1000 x 800 x 260	Star-Delta
15	SPCPE-2S-45	45	2	1000 x 800 x 260	Star-Delta
16	SPCPS-2S-0.75	0.75	2	800 x 600 x 280	Soft-Starter
17	SPCPS-2S-1.1	1.1	2	800 x 600 x 280	Soft-Starter
18	SPCPS-2S-1.5	1.5	2	800 x 600 x 280	Soft-Starter
19	SPCPS-2S-2.2	2.2	2	800 x 600 x 280	Soft-Starter
20	SPCPS-2S-3	3	2	800 x 600 x 280	Soft-Starter
21	SPCPS-2S-4	4	2	800 x 600 x 280	Soft-Starter
22	SPCPS-2S-5.5	5.5	2	800 x 600 x 280	Soft-Starter
23	SPCPS-2S-7.5	7.5	2	800 x 600 x 280	Soft-Starter
24	SPCPS-2S-11	11	2	800 x 600 x 280	Soft-Starter
25	SPCPS-2S-15	15	2	800 x 600 x 280	Soft-Starter
26	SPCPS-2S-18.5	18.5	2	900 x 700 x 280	Soft-Starter
27	SPCPS-2S-22	22	2	900 x 700 x 280	Soft-Starter
28	SPCPS-2S-30	30	2	900 x 800 x 280	Soft-Starter
29	SPCPS-2S-37	37	2	900 x 800 x 280	Soft-Starter
30	SPCPS-2S-45	45	2	1000 x 800 x 280	Soft-Starter
31	SPCPS-2S-55	55	2	1000 x 800 x 280	Soft-Starter
32	SPCPS-2S-75	75	2	1100 x 900 x 330	Soft-Starter
33	SPCPS-2S-90	90	2	1200 x 1000 x 330	Soft-Starter
34	SPCPV-2S-0.75	0.75	2	800 x 650 x 260	Variable Speed Drive
35	SPCPV-2S-1.1	1.1	2	800 x 650 x 260	Variable Speed Drive
36	SPCPV-2S-1.5	1.5	2	800 x 650 x 260	Variable Speed Drive
37	SPCPV-2S-2.2	2.2	2	800 x 650 x 260	Variable Speed Drive
38	SPCPV-2S-3	3	2	800 x 650 x 260	Variable Speed Drive
39	SPCPV-2S-4	4	2	800 x 650 x 260	Variable Speed Drive
40	SPCPV-2S-5.5	5.5	2	900 x 650 x 260	Variable Speed Drive
41	SPCPV-2S-7.5	7.5	2	900 x 650 x 260	Variable Speed Drive
42	SPCPV-2S-11	11	2	1000 x 700 x 300	Variable Speed Drive
43	SPCPV-2S-15	15	2	1000 x 700 x 300	Variable Speed Drive
44	SPCPV-2S-18.5	18.5	2	1200 x 850 x 300	Variable Speed Drive
45	SPCPV-2S-22	22	2	1200 x 850 x 350	Variable Speed Drive
46	SPCPV-2S-30	30	2	1400 x 900 x 350	Variable Speed Drive
47	SPCPV-2S-37	37	2	1400 x 900 x 350	Variable Speed Drive
48	SPCPV-2S-45	45	2	1500 x 1100 x 420	Variable Speed Drive
49	SPCPV-2S-55	55	2	1500 x 1100 x 420	Variable Speed Drive
50	SPCPV-2S-75	75	2	1500 x 1100 x 420	Variable Speed Drive
51	SPCPV-2S-90	90	2	1500 x 1500 x 500	Variable Speed Drive

\*The quantity of pump control and enclosure size can be adjusted



**SPV SERIES**



**SPLV SERIES**



**SUBMERSIBLE PUMP SERIES**



**SPE, SPI, SPS SERIES**



**SUPERPOWER PUMPING ENGINEERING CO., LTD.**

G/F., Times Tower, 928-930 Cheung Sha Wan Road, Kowloon, Hong Kong

Sales Hotline: (852) 2746 4933

Fax: (852) 2786 2307

Website: [www.sppump.com](http://www.sppump.com)

Email: [info@sppump.com](mailto:info@sppump.com)



ISO 9001



ISO 14001



OHSAS 18001



MANPOWER



CARING COMPANY

While the production techniques continue to improve, designs and materials used for the products may thus be varied from time to time. No further notice will be provided.

Rev. SPCP-201702